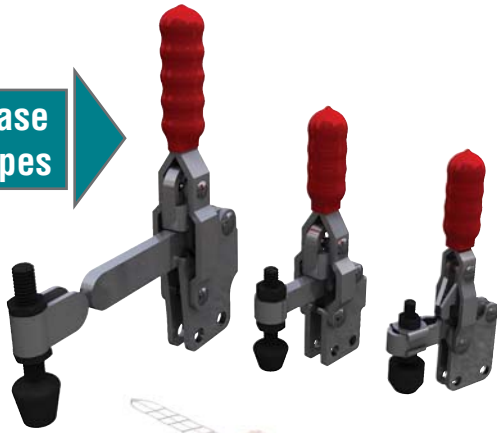
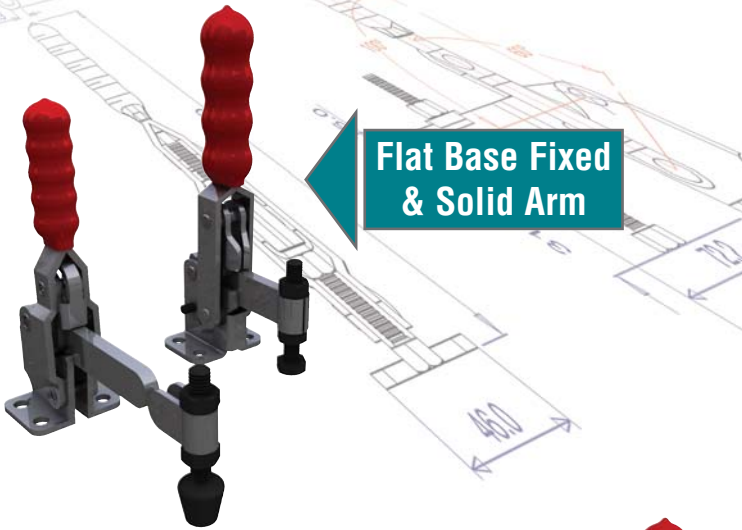


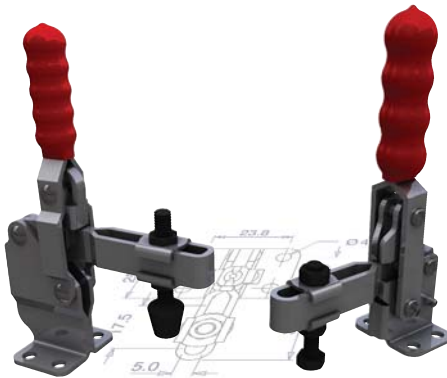
Straight Base
All Arm Types



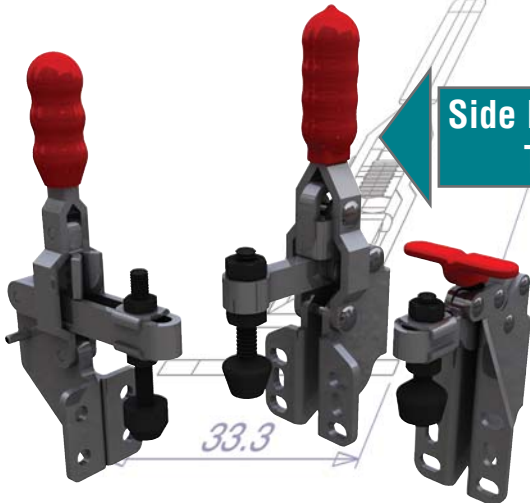
Flat Base Fixed
& Solid Arm



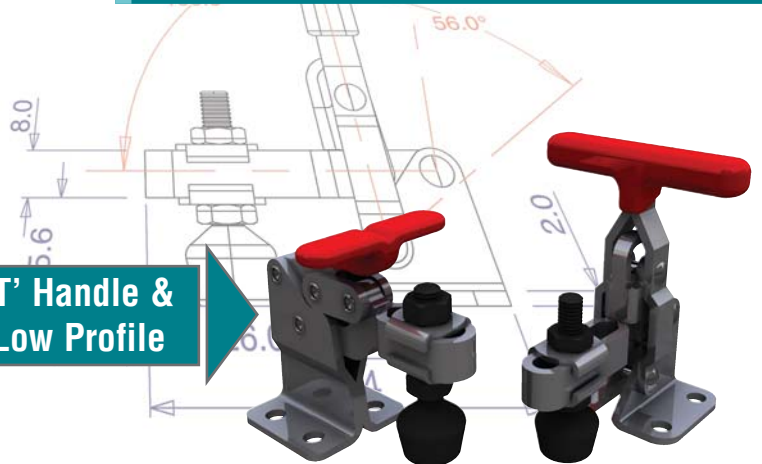
Flat Base
Slotted Arm



Side Mounting
Type



'T' Handle &
Low Profile



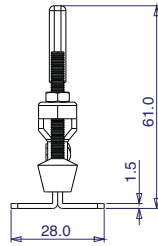
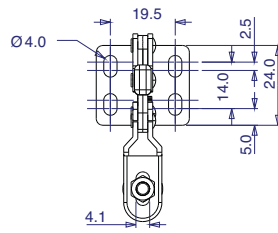
Vertical toggle clamps are the most versatile, producing the highest clamping forces with the arm and handle geometry using the same axis direction.

Features include:

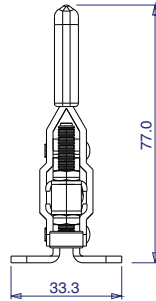
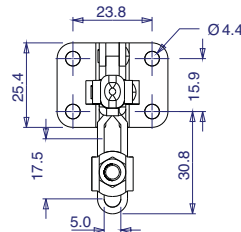
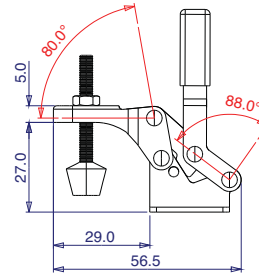
- Red vinyl hand grip with cushioned rib profile for improved user comfort.
- All body and linkage components are zinc plated to resist corrosion.
- Pivot points are fitted with hardened steel or stainless steel rivets to maintain accuracy and provide a long service life.
- Clamps with adjustable spindles are manufactured with a formed end to the arm, which captivates the spindle should it become loose during operation.
- Flanged washers are supplied with all slotted arm versions and weldable bolt retainer brackets are supplied with all solid arm models.
- The arm and handle opening angles can be increased on some models by the removal of a positioning pin on the base of the clamp.



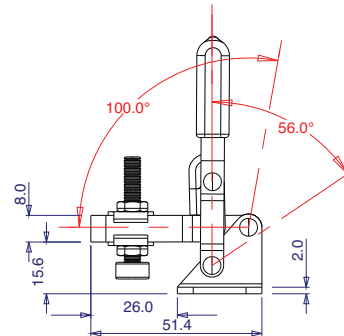
► Flat Base Slotted Arm



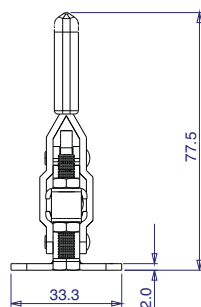
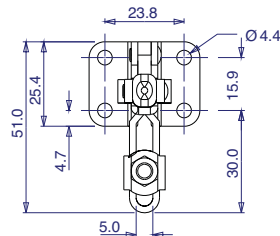
Part No:	GH-13009
Holding Force:	30Kg
Arm Opens:	80°
Handle Opens:	88°
Weight:	0.04Kg
Spindle Supplied:	FC-044207
Flanged Washers Supplied:	-



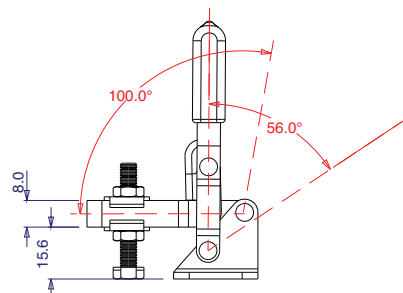
Part No:	GH-101-A
Holding Force:	50Kg
Arm Opens:	100
Handle Opens:	56
Weight:	0.06Kg
Spindle Supplied:	FC-10138-LP
Flanged Washers Supplied:	FW-080



stainless

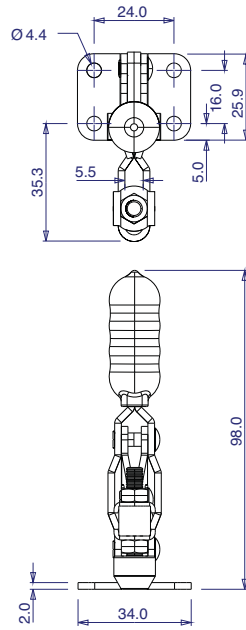


Part No:	GH-101-ASS
Holding Force:	50Kg
Arm Opens:	100
Handle Opens:	56
Weight:	0.06Kg
Spindle Supplied:	FC-10138-SS
Flanged Washers Supplied:	FW-080-SS

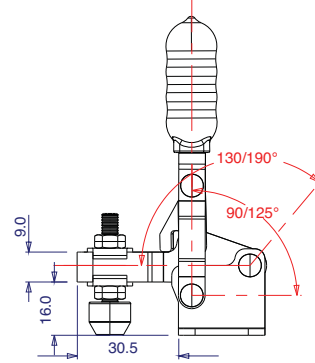


Vertical Toggle Clamps

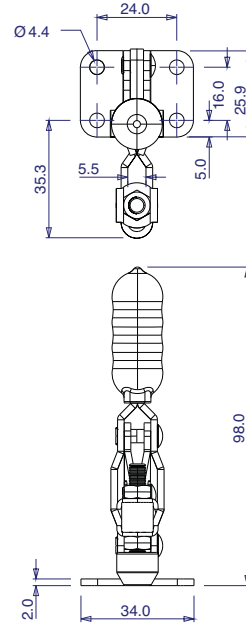
► Flat Base Slotted Arm



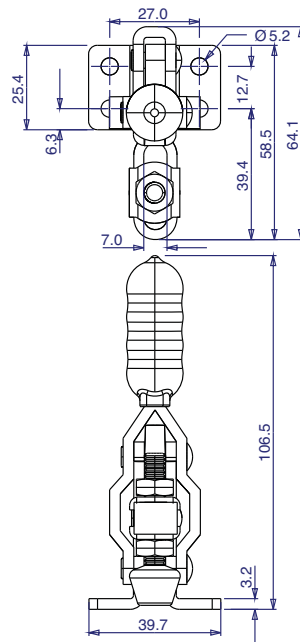
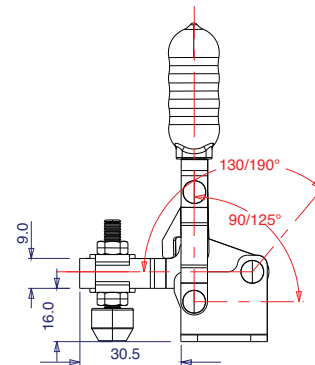
Part No:	GH-10752-B
Holding Force:	75Kg
Arm Opens:	130-195°
Handle Opens:	90-125°
Weight:	0.05Kg
Spindle Supplied:	SA-055008+NC-05 Cap
Flanged Washers Supplied:	FW-100



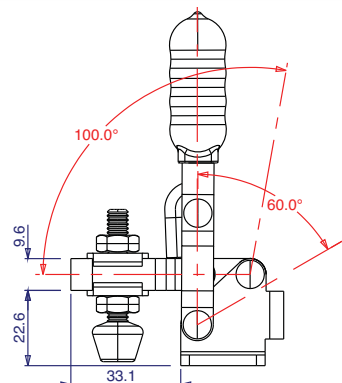
stainless



Part No:	GH-10752-BSS
Holding Force:	75Kg
Arm Opens:	130-195°
Handle Opens:	90-125°
Weight:	0.05Kg
Spindle Supplied:	SA-054008-SS+NC-05 Cap
Flanged Washers Supplied:	FW-100-SS

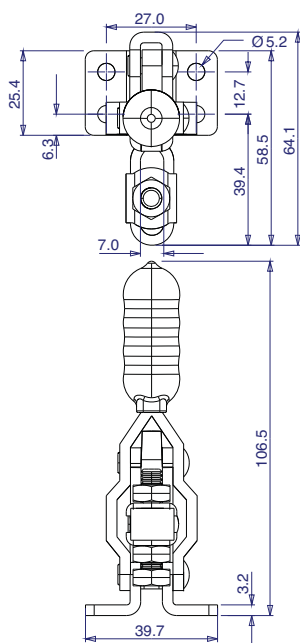


Part No:	GH-12050-U
Holding Force:	91Kg
Arm Opens:	100°
Handle Opens:	60°
Weight:	0.17Kg
Spindle Supplied:	FC-14134
Flanged Washers Supplied:	FW-141

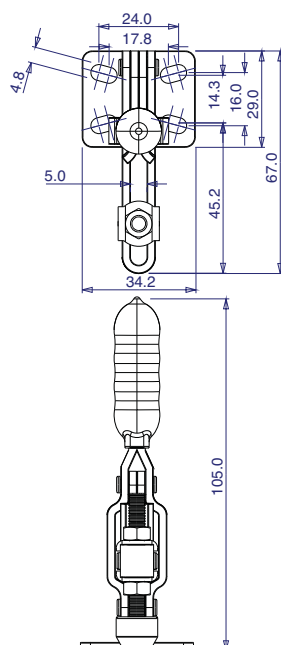
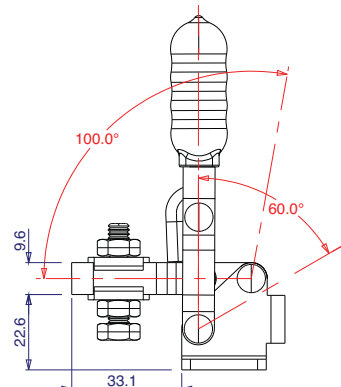


► Flat Base Slotted Arm

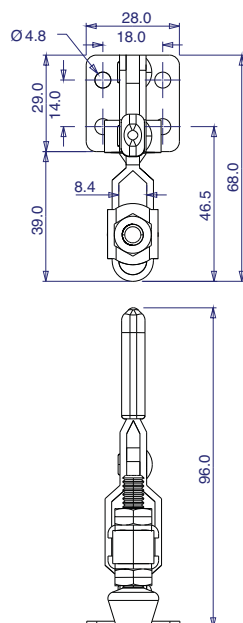
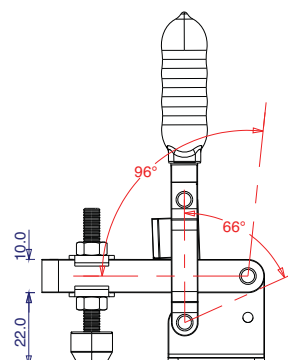
stainless



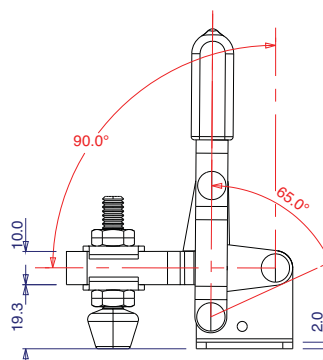
Part No:	GH-12050-USS
Holding Force:	91Kg
Arm Opens:	100°
Handle Opens:	60°
Weight:	0.17Kg
Spindle Supplied:	SA-14134-SS
Flanged Washers Supplied:	FW-140-SS



Part No:	GH-11002-B
Holding Force:	75Kg
Arm Opens:	96°
Handle Opens:	66°
Weight:	0.08Kg
Spindle Supplied:	SA-054008+NC-05 Cap
Flanged Washers Supplied:	FW-100

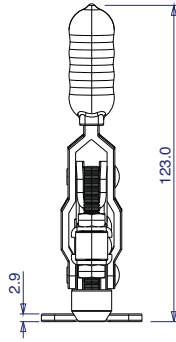
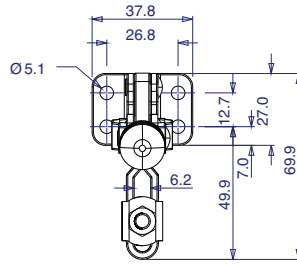


Part No:	GH-102-B
Holding Force:	100Kg
Arm Opens:	90°
Handle Opens:	65°
Weight:	0.115Kg
Spindle Supplied:	FC-14134
Flanged Washers Supplied:	FW-141

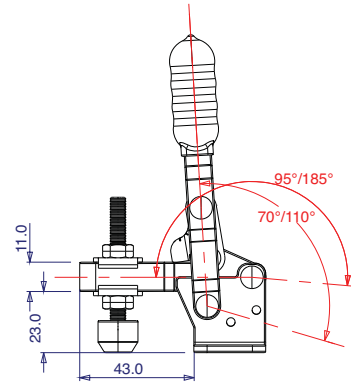


Vertical Toggle Clamps

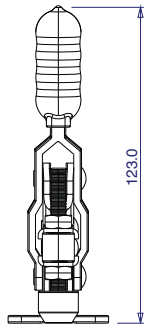
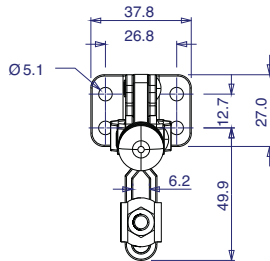
► Flat Base Slotted Arm



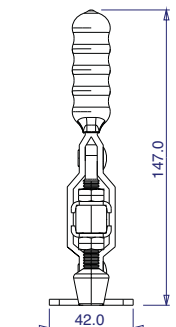
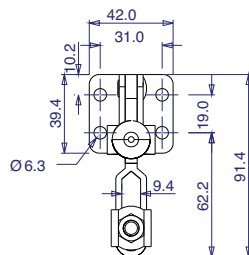
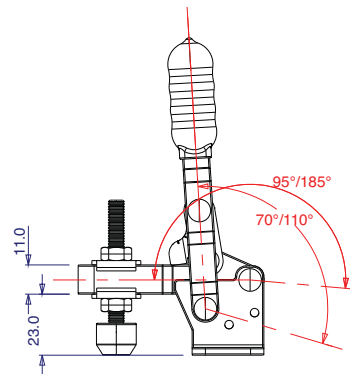
Part No:	GH-11502-B
Holding Force:	150Kg
Arm Opens:	185°
Handle Opens:	110°
Weight:	0.195Kg
Spindle Supplied:	SA-065010+NC-06 Cap
Flanged Washers Supplied:	FW-140



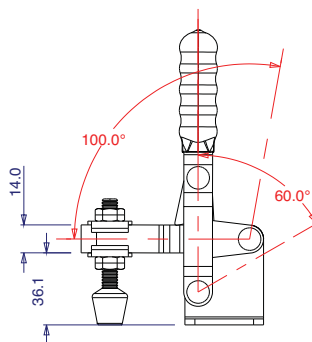
stainless



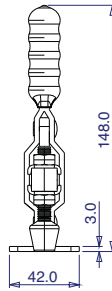
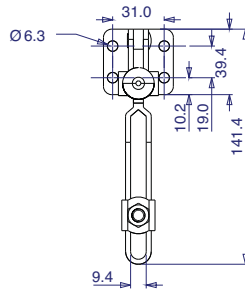
Part No:	GH-11502-BSS
Holding Force:	150Kg
Arm Opens:	185°
Handle Opens:	110°
Weight:	0.195Kg
Spindle Supplied:	SA065010-SS+NC-06 Cap
Flanged Washers Supplied:	FW-140-SS



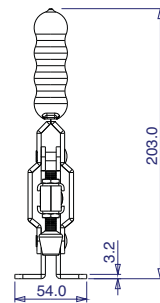
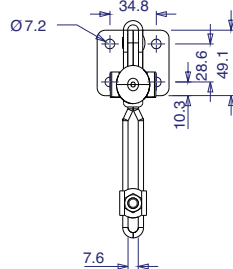
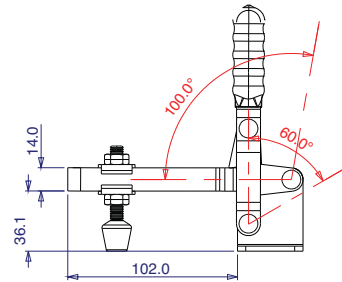
Part No:	GH-101-D
Holding Force:	180Kg
Arm Opens:	100°
Handle Opens:	60°
Weight:	0.33Kg
Spindle Supplied:	FC-56212
Flanged Washers Supplied:	FW-516



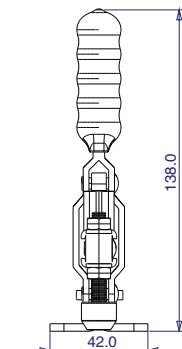
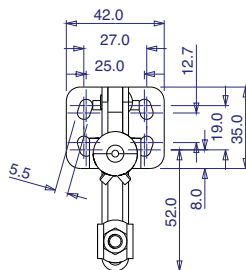
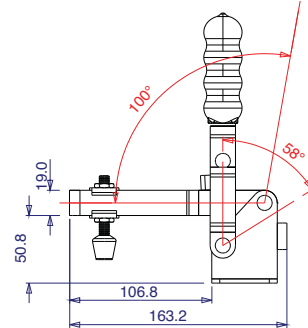
► Flat Base Slotted Arm



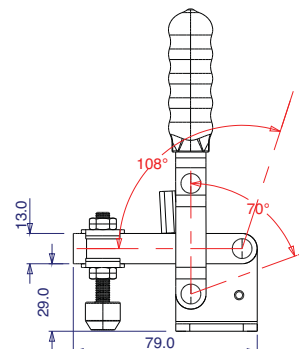
Part No:	GH-101-E
Holding Force:	180Kg
Arm Opens:	100°
Handle Opens:	60°
Weight:	0.33Kg
Spindle Supplied:	FC-56212
Flanged Washers Supplied:	FW-516



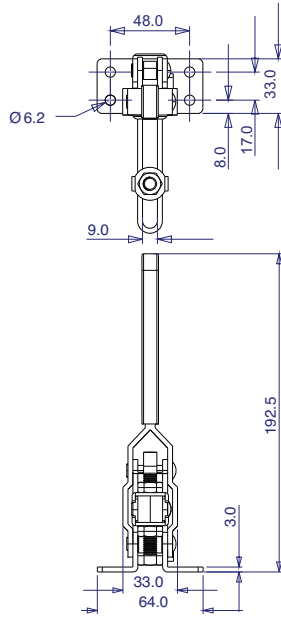
Part No:	GH-12205
Holding Force:	182Kg
Arm Opens:	101°
Handle Opens:	57°
Weight:	0.620Kg
Spindle Supplied:	FC-56212
Flanged Washers Supplied:	FW-516



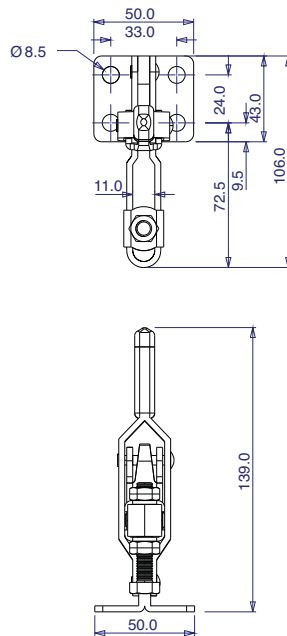
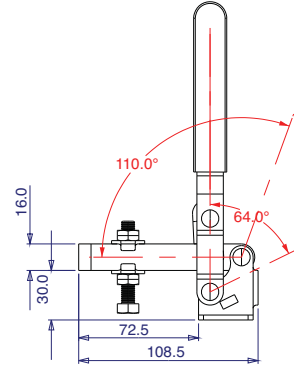
Part No:	GH-12002-B
Holding Force:	150Kg
Arm Opens:	108°
Handle Opens:	70°
Weight:	0.17Kg
Spindle Supplied:	SA-064010+NC-06 Cap
Flanged Washers Supplied:	FW-140



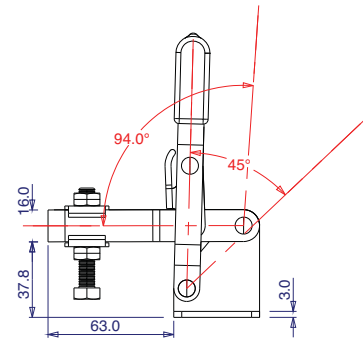
► Flat Base Slotted Arm



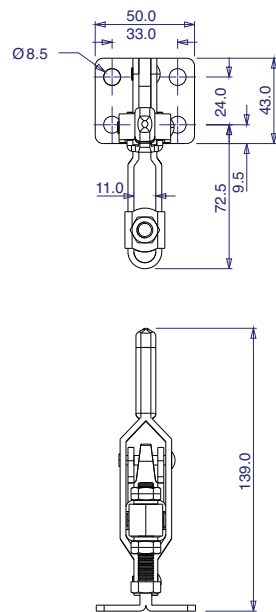
Part No:	GH-11412
Holding Force:	200Kg
Arm Opens:	110°
Handle Opens:	64°
Weight:	0.37Kg
Spindle Supplied:	SA-085012
Flanged Washers Supplied:	FW-516



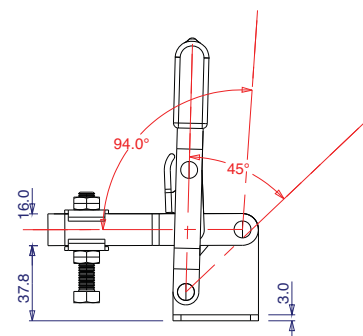
Part No:	GH-11421
Holding Force:	200Kg
Arm Opens:	94°
Handle Opens:	45°
Weight:	0.37Kg
Spindle Supplied:	SA-085012
Flanged Washers Supplied:	FW-516



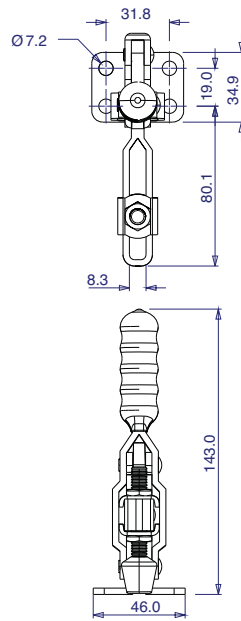
stainless



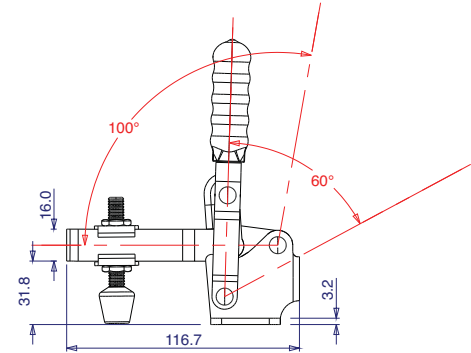
Part No:	GH-11421-SS
Holding Force:	200Kg
Arm Opens:	94°
Handle Opens:	45°
Weight:	0.37Kg
Spindle Supplied:	SA-0805012-SS
Flanged Washers Supplied:	FW-516-SS



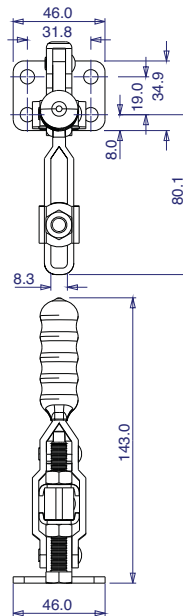
► Flat Base Slotted Arm



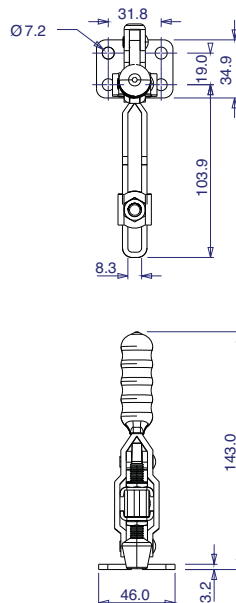
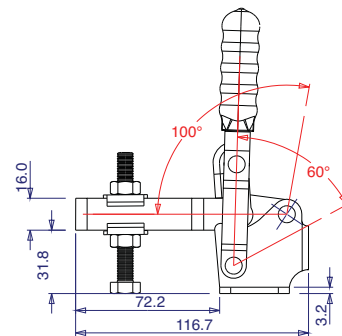
Part No:	GH-12130
Holding Force:	227Kg
Arm Opens:	100°
Handle Opens:	60°
Weight:	0.36Kg
Spindle Supplied:	FC-56212
Flanged Washers Supplied:	FW-516



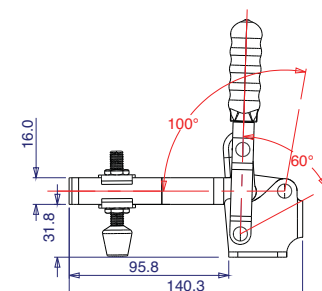
stainless



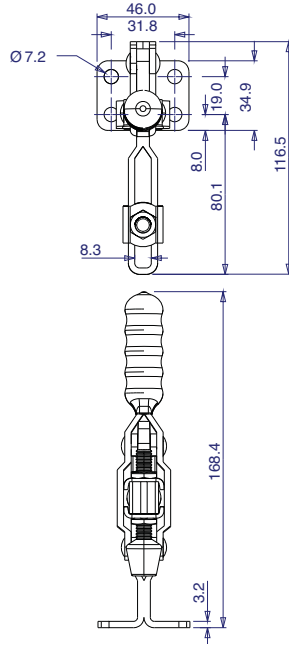
Part No:	GH-12130-SS
Holding Force:	227Kg
Arm Opens:	100°
Handle Opens:	60°
Weight:	0.36Kg
Spindle Supplied:	SA-56212-SS
Flanged Washers Supplied:	FW-516-SS



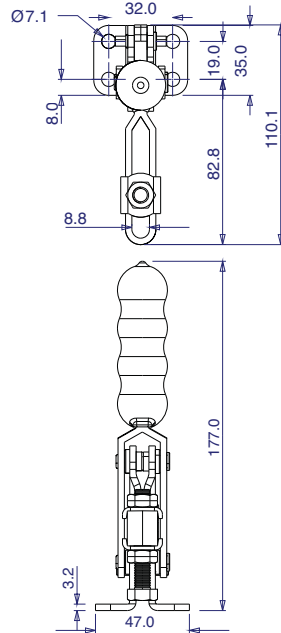
Part No:	GH-12132
Holding Force:	227Kg
Arm Opens:	100°
Handle Opens:	60°
Weight:	0.37Kg
Spindle Supplied:	FC-56212
Flanged Washers Supplied:	FW-516



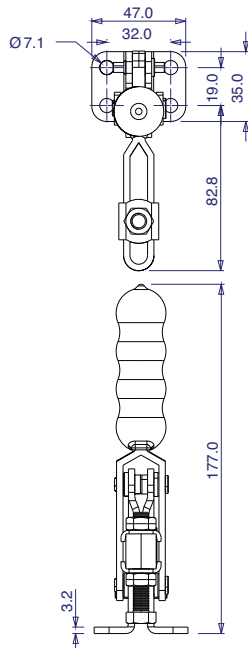
► Flat Base Slotted Arm



Part No:	GH-12130-HB
Holding Force:	227Kg
Arm Opens:	100°
Handle Opens:	60°
Weight:	0.401Kg
Spindle Supplied:	FC-56212
Flanged Washers Supplied:	FW-516



Part No:	GH-12502-B
Holding Force:	250Kg
Arm Opens:	90-150°
Handle Opens:	70-100°
Weight:	0.38Kg
Spindle Supplied:	SA-085012
Flanged Washers Supplied:	FW-516

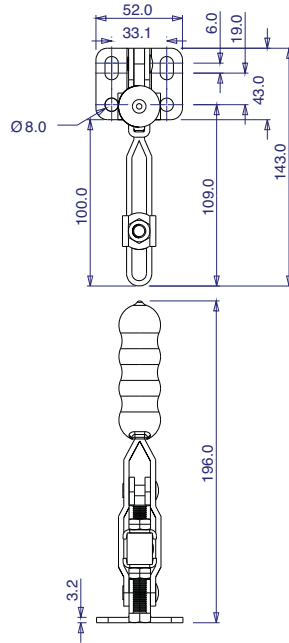


Part No:	GH-12502-BSS
Holding Force:	250Kg
Arm Opens:	90-150°
Handle Opens:	70-100°
Weight:	0.38Kg
Spindle Supplied:	SA-085012-SS
Flanged Washers Supplied:	FW-516-SS

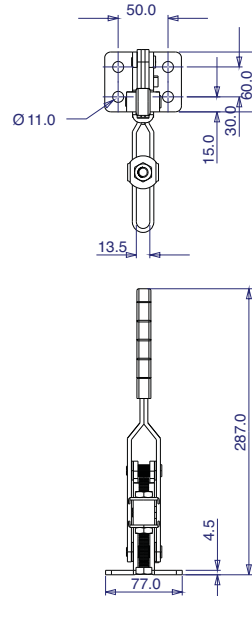
stainless



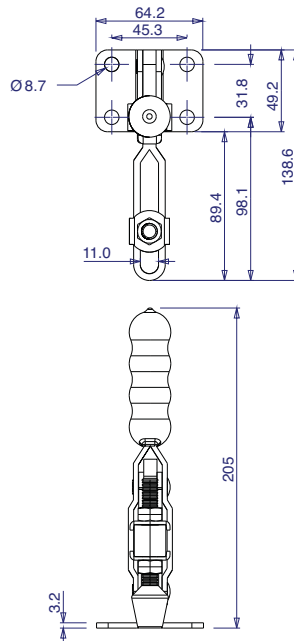
► Flat Base Slotted Arm



Part No:	GH-13002-B
Holding Force:	250Kg
Arm Opens:	106°
Handle Opens:	67°
Weight:	0.38Kg
Spindle Supplied:	SA-086512
Flanged Washers Supplied:	FW-516



Part No:	GH-14412
Holding Force:	300Kg
Arm Opens:	140°
Handle Opens:	67°
Weight:	1.140Kg
Spindle Supplied:	SA-109015
Flanged Washers Supplied:	FW-380

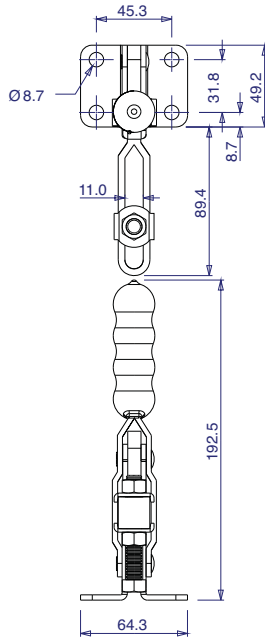


Part No:	GH-12265
Holding Force:	340Kg
Arm Opens:	105°
Handle Opens:	58°
Weight:	0.62Kg
Spindle Supplied:	FC-38312
Flanged Washers Supplied:	FW-380

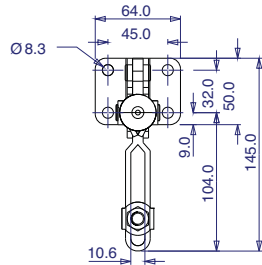
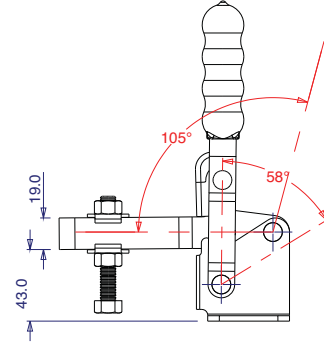


► Flat Base Slotted Arm

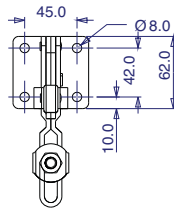
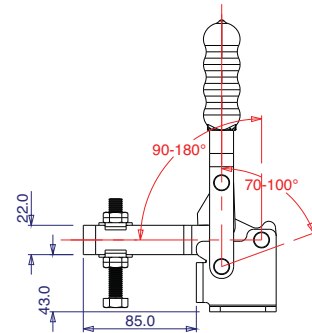
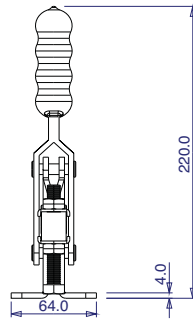
stainless



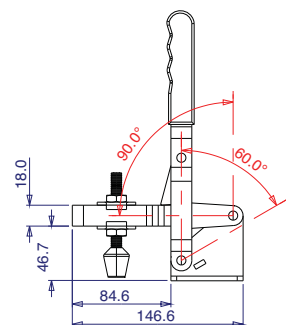
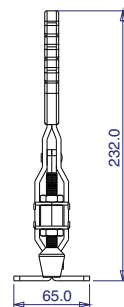
Part No:	GH-12265-SS
Holding Force:	340Kg
Arm Opens:	105°
Handle Opens:	58°
Weight:	0.62Kg
Spindle Supplied:	SA-38312-SS
Flanged Washers Supplied:	FW-380-SS



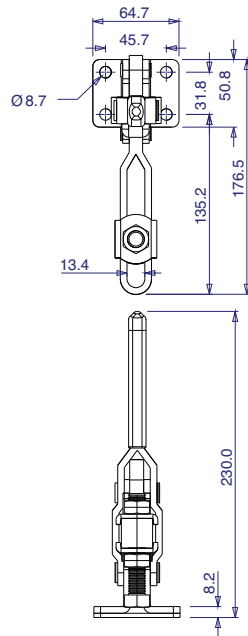
Part No:	GH-13502-B
Holding Force:	350Kg
Arm Opens:	90-180°
Handle Opens:	70-100°
Weight:	0.8Kg
Spindle Supplied:	SA-108015
Flanged Washers Supplied:	FW-380



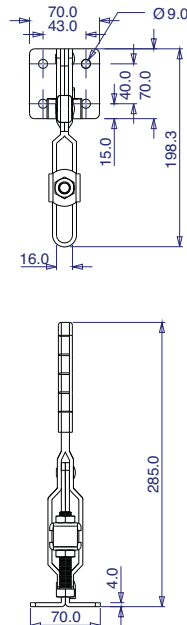
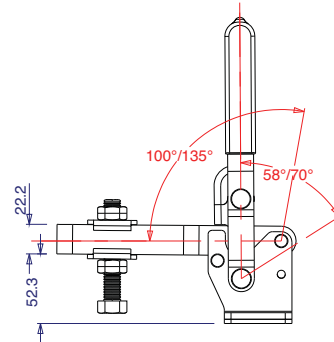
Part No:	GH-101-EL
Holding Force:	360Kg
Arm Opens:	90°
Handle Opens:	60°
Weight:	0.84Kg
Spindle Supplied:	FC-38312
Flanged Washers Supplied:	FW-380



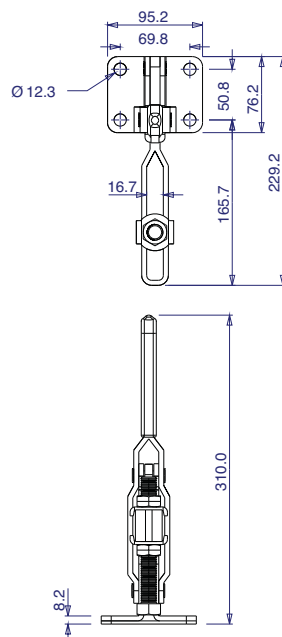
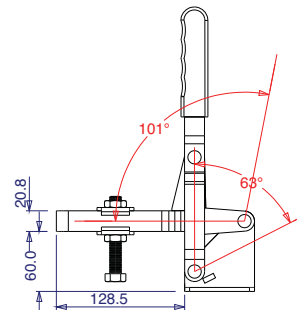
► Flat Base Slotted Arm



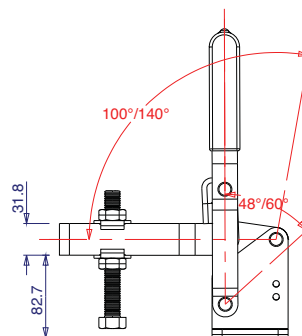
Part No:	GH-10247
Holding Force:	450Kg
Arm Opens:	100°
Handle Opens:	58°
Weight:	1.25Kg
Spindle Supplied:	SA-12300
Flanged Washers Supplied:	FW-120



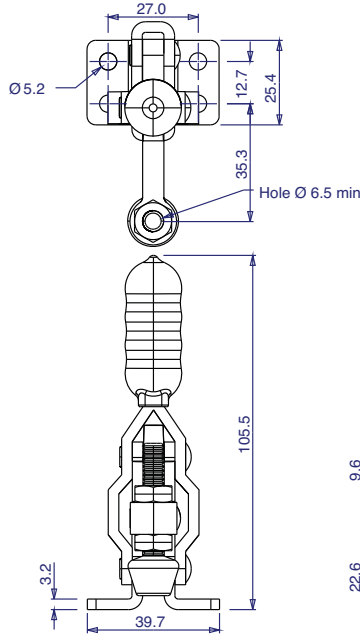
Part No:	GH-101-H
Holding Force:	450Kg
Arm Opens:	101°
Handle Opens:	63°
Weight:	1.22Kg
Spindle Supplied:	SA-12300
Flanged Washers Supplied:	FW-120



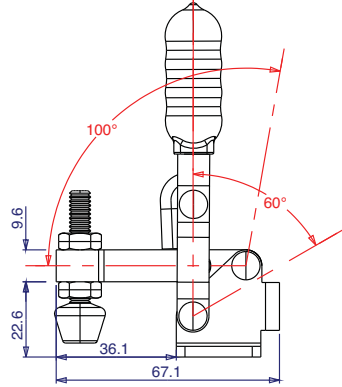
Part No:	GH-101-J
Holding Force:	550Kg
Arm Opens:	100°
Handle Opens:	48°
Weight:	2.54Kg
Spindle Supplied:	SA-58500
Flanged Washers Supplied:	FW-580



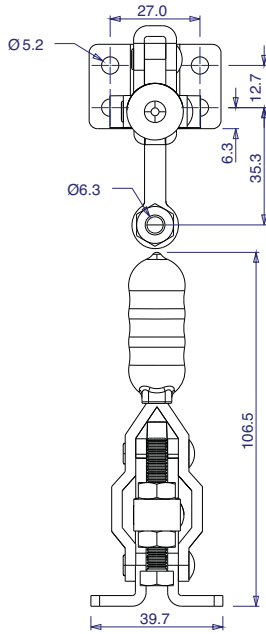
► Flat Base Fixed & Solid Arm



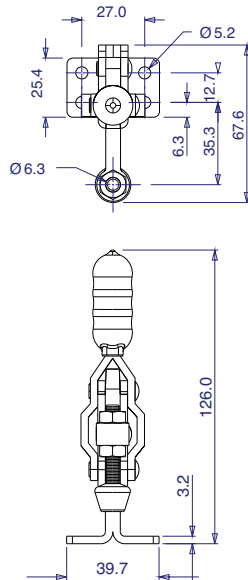
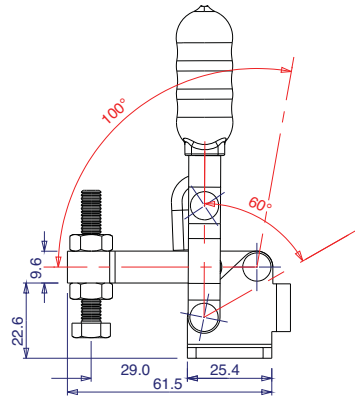
Part No:	GH-12050
Holding Force:	91Kg
Arm Opens:	100°
Handle Opens:	60°
Weight:	0.17Kg
Spindle Supplied:	FC-14134
Flanged Washers Supplied:	-



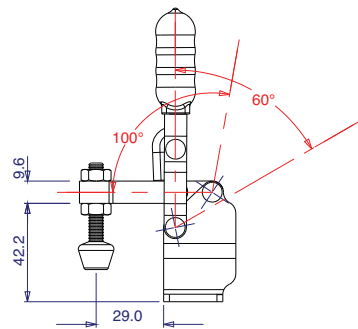
stainless



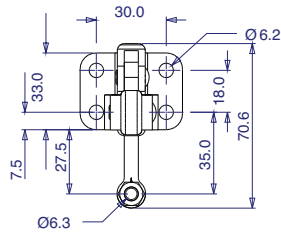
Part No:	GH-12050-SS
Holding Force:	91Kg
Arm Opens:	100°
Handle Opens:	60°
Weight:	0.17Kg
Spindle Supplied:	SA-14134-SS
Flanged Washers Supplied:	-



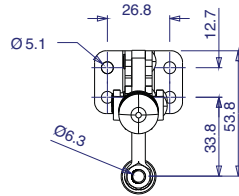
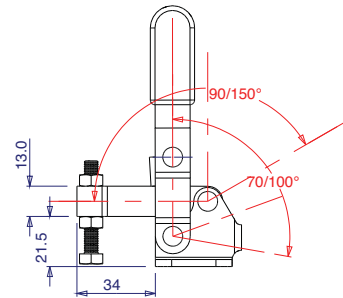
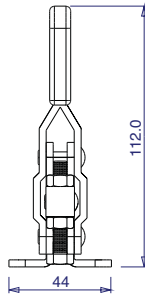
Part No:	GH-12050-HB
Holding Force:	91Kg
Arm Opens:	100°
Handle Opens:	60°
Weight:	0.186Kg
Spindle Supplied:	FC-14134
Flanged Washers Supplied:	-



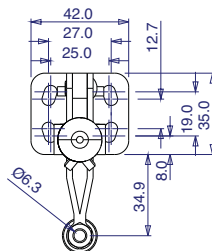
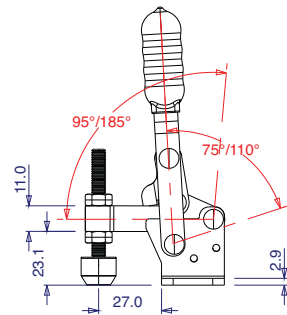
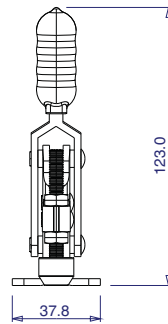
► Flat Base Fixed & Solid Arm



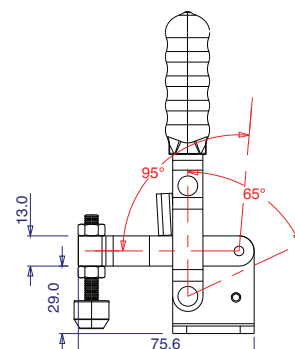
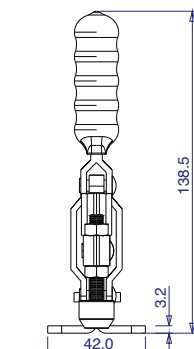
Part No:	GH-11401
Holding Force:	100Kg
Arm Opens:	95°
Handle Opens:	65°
Weight:	0.2Kg
Spindle Supplied:	SA-064010
Flanged Washers Supplied:	-



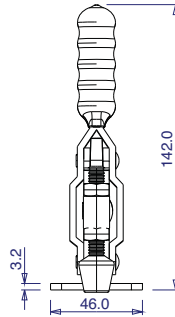
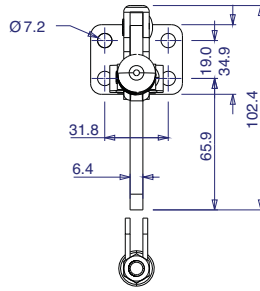
Part No:	GH-11502-C
Holding Force:	150Kg
Arm Opens:	95-185°
Handle Opens:	75-110°
Weight:	0.15Kg
Spindle Supplied:	SA-065010+NC-06 Cap
Flanged Washers Supplied:	-



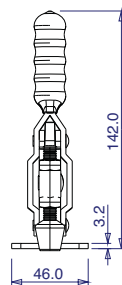
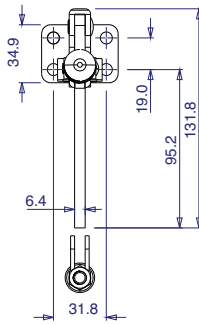
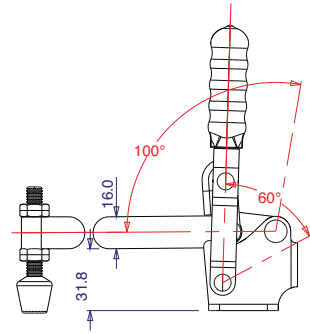
Part No:	GH-12002-C
Holding Force:	100Kg
Arm Opens:	95°
Handle Opens:	65°
Weight:	0.2Kg
Spindle Supplied:	SA-065010+NC-06 Cap
Flanged Washers Supplied:	-



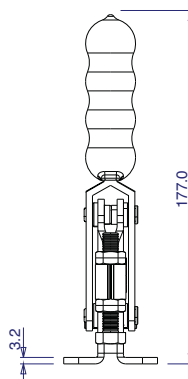
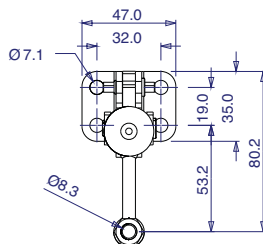
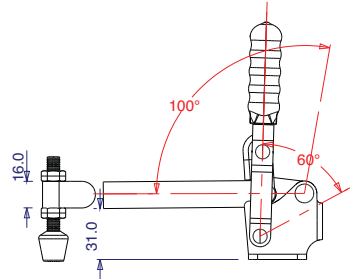
► Flat Base Fixed & Solid Arm



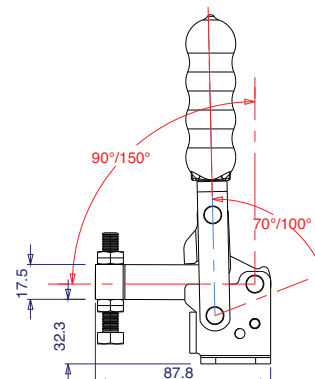
Part No:	GH-12140
Holding Force:	227Kg
Arm Opens:	100°
Handle Opens:	60°
Weight:	0.34Kg
Spindle Supplied:	FC-56212
Bolt Retainer Supplied:	BR-516



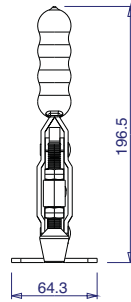
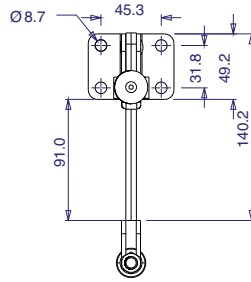
Part No:	GH-12142
Holding Force:	227Kg
Arm Opens:	100°
Handle Opens:	60°
Weight:	0.36Kg
Spindle Supplied:	FC-56212
Bolt Retainer Supplied:	BR-516



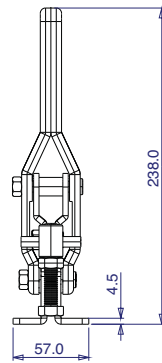
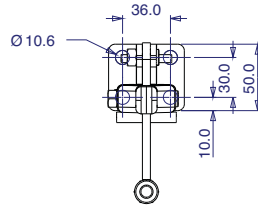
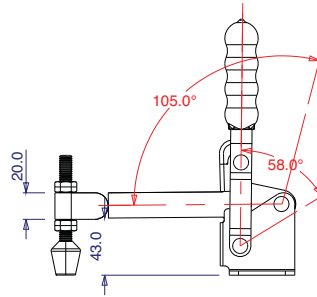
Part No:	GH-12502-C
Holding Force:	250Kg
Arm Opens:	90-150°
Handle Opens:	70-100°
Weight:	0.38Kg
Spindle Supplied:	SA-085012
Flanged Washers Supplied:	-



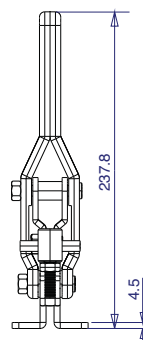
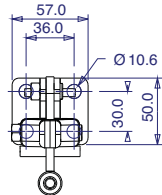
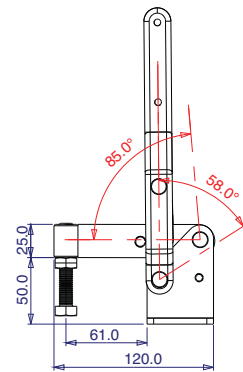
► Flat Base Fixed & Solid Arm



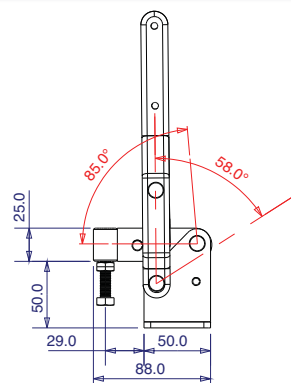
Part No:	GH-12275
Holding Force:	340Kg
Arm Opens:	105°
Handle Opens:	58°
Weight:	0.68Kg
Spindle Supplied:	FC-38312
Bolt Retainer Supplied	BR-380



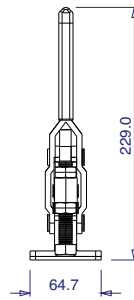
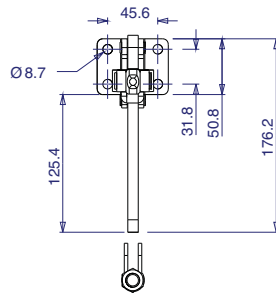
Part No:	GH-10444
Holding Force:	400Kg
Arm Opens:	85°
Handle Opens:	58°
Weight:	0.87Kg
Spindle Supplied:	SA-38200
Flanged Washers Supplied:	-



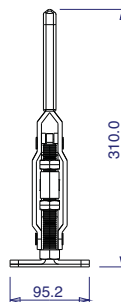
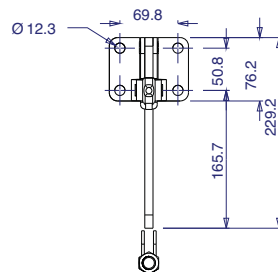
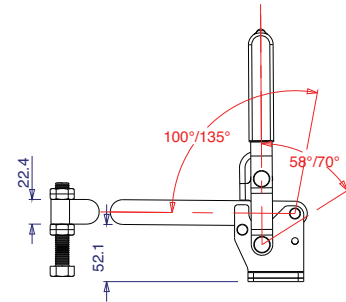
Part No:	GH-10448
Holding Force:	400Kg
Arm Opens:	85°
Handle Opens:	58°
Weight:	0.87Kg
Spindle Supplied:	SA-38200
Flanged Washers Supplied:	-



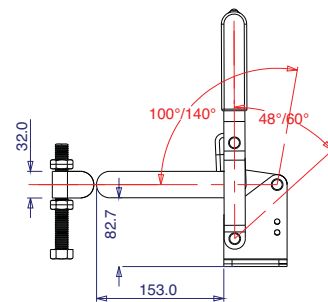
► Flat Base Fixed & Solid Arm



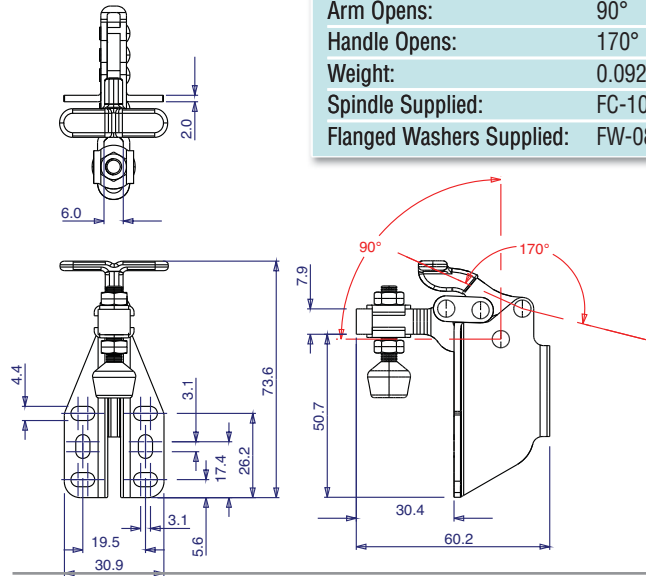
Part No:	GH-10249
Holding Force:	450Kg
Arm Opens:	100°
Handle Opens:	58°
Weight:	1.25Kg
Spindle Supplied:	SA-12300
Bolt Retainer Supplied	BR-120



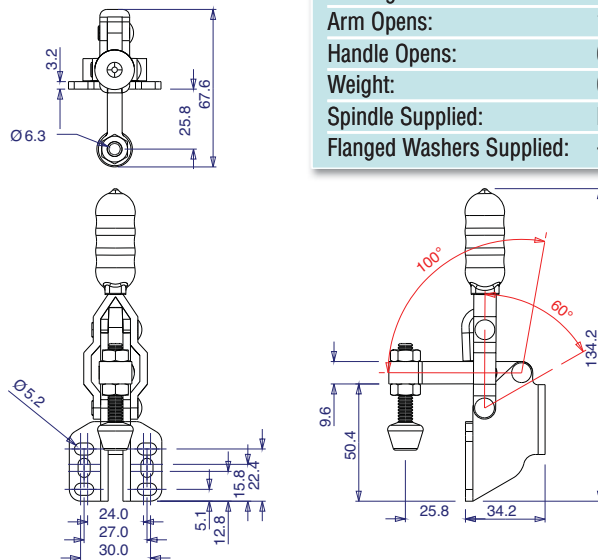
Part No:	GH-101-JS
Holding Force:	550Kg
Arm Opens:	100°
Handle Opens:	48°
Weight:	2.54Kg
Spindle Supplied:	SA-58500
Bolt Retainer Supplied	BR-580



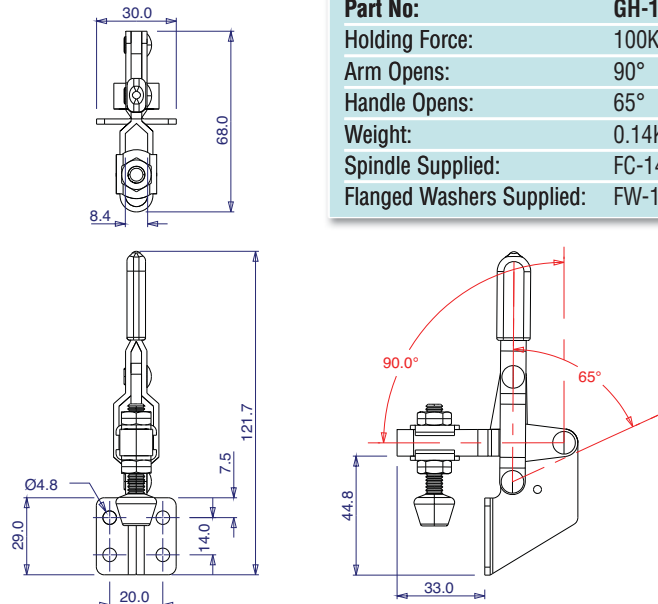
► Side Mounting Type



Part No:	GH-13005-SM
Holding Force:	68Kg
Arm Opens:	90°
Handle Opens:	170°
Weight:	0.092Kg
Spindle Supplied:	FC-10138
Flanged Washers Supplied:	FW-080



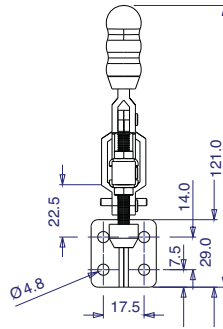
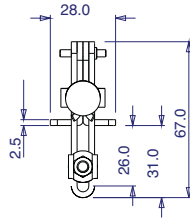
Part No:	GH-12050-SM
Holding Force:	91Kg
Arm Opens:	100°
Handle Opens:	60°
Weight:	0.186Kg
Spindle Supplied:	FC-14134
Flanged Washers Supplied:	-



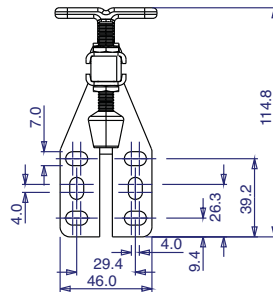
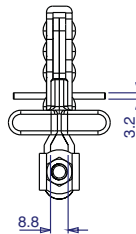
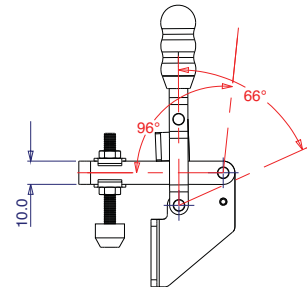
Part No:	GH-101-B
Holding Force:	100Kg
Arm Opens:	90°
Handle Opens:	65°
Weight:	0.14Kg
Spindle Supplied:	FC-14134
Flanged Washers Supplied:	FW-141



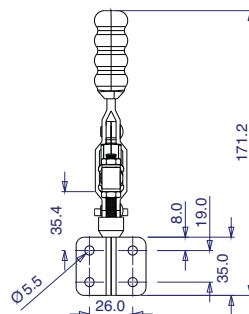
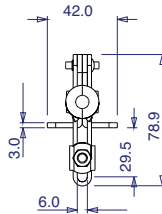
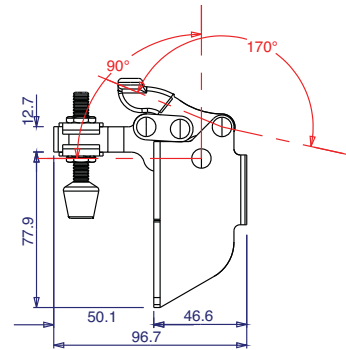
► Side Mounting Type



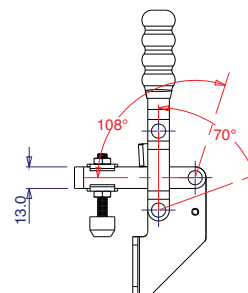
Part No:	GH-11003-B
Holding Force:	100Kg
Arm Opens:	96°
Handle Opens:	66°
Weight:	0.08Kg
Spindle Supplied:	SA-054008+NC-05 Cap
Flanged Washers Supplied:	FW-100



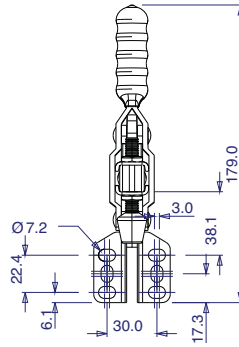
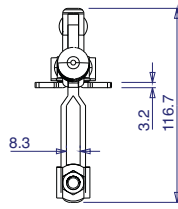
Part No:	GH-13007-SM
Holding Force:	150Kg
Arm Opens:	90°
Handle Opens:	170°
Weight:	0.36Kg
Spindle Supplied:	FC-56212
Flanged Washers Supplied:	FW-516



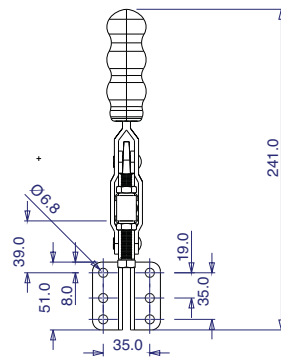
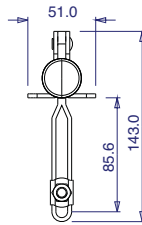
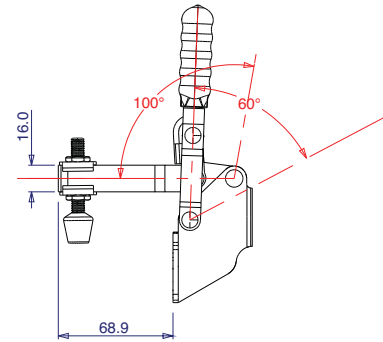
Part No:	GH-12003-B
Holding Force:	150Kg
Arm Opens:	108°
Handle Opens:	70°
Weight:	0.17Kg
Spindle Supplied:	SA-064010+NC-06 Cap
Flanged Washers Supplied:	FW-140



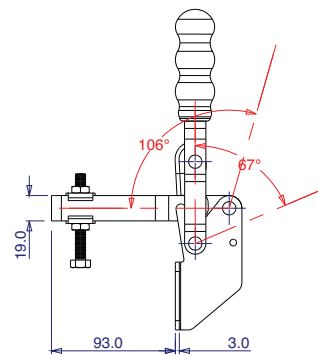
► Side Mounting Type



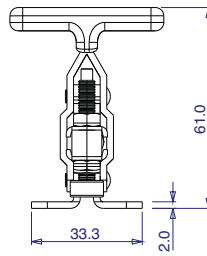
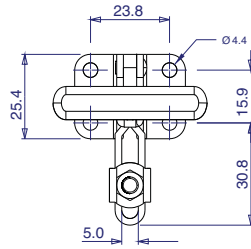
Part No:	GH-12130-SM
Holding Force:	227Kg
Arm Opens:	100°
Handle Opens:	60°
Weight:	0.395Kg
Spindle Supplied:	FC-56212
Flanged Washers Supplied:	FW-516



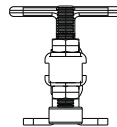
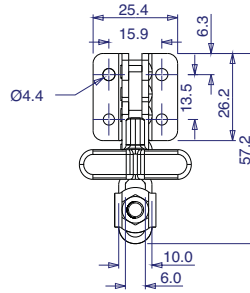
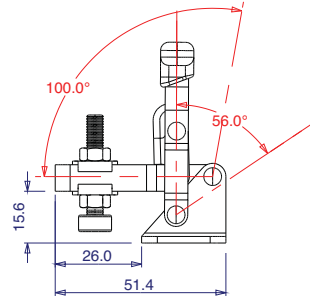
Part No:	GH-13003-B
Holding Force:	250Kg
Arm Opens:	106°
Handle Opens:	67°
Weight:	0.38Kg
Spindle Supplied:	SA-086512
Flanged Washers Supplied:	FW-516



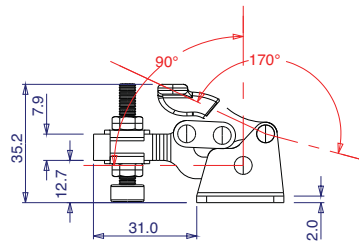
► 'T' Handle & Low Profile



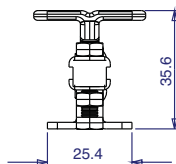
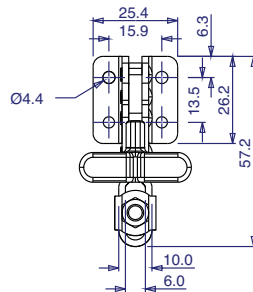
Part No:	GH-101-AT
Holding Force:	50Kg
Arm Opens:	100°
Handle Opens:	56°
Weight:	0.06Kg
Spindle Supplied:	FC-10138-LP
Flanged Washers Supplied:	FW-080



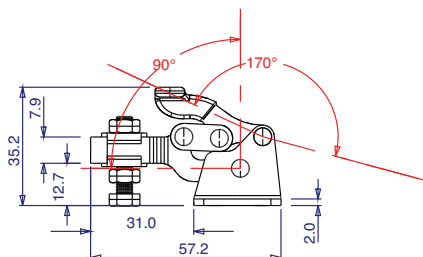
Part No:	GH-13005
Holding Force:	68Kg
Arm Opens:	90°
Handle Opens:	170°
Weight:	0.068Kg
Spindle Supplied:	FC-10138-LP
Flanged Washers Supplied:	FW-080



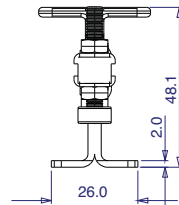
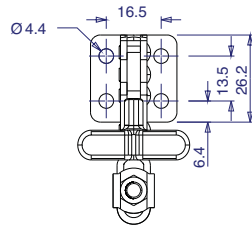
stainless



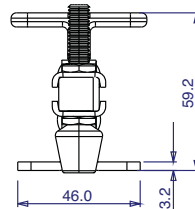
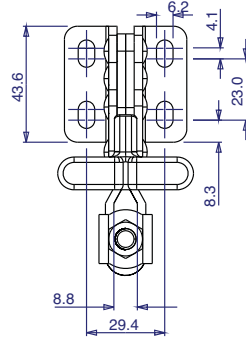
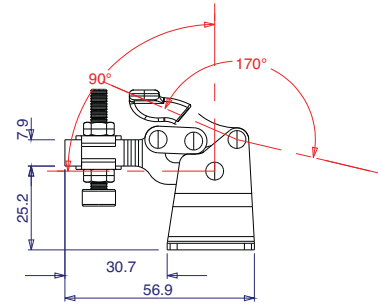
Part No:	GH-13005-SS
Holding Force:	68Kg
Arm Opens:	90°
Handle Opens:	170°
Weight:	0.068Kg
Spindle Supplied:	SA-10138-SS
Flanged Washers Supplied:	FW-080-SS



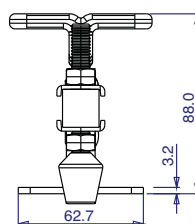
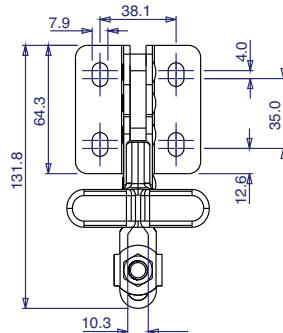
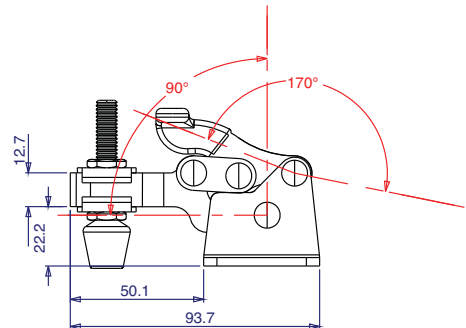
► 'T' Handle & Low Profile



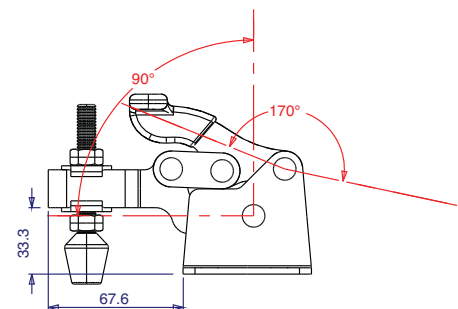
Part No:	GH-13005-HB
Holding Force:	68Kg
Arm Opens:	90°
Handle Opens:	170°
Weight:	0.068Kg
Spindle Supplied:	FC-10138-LP
Flanged Washers Supplied:	FW-080



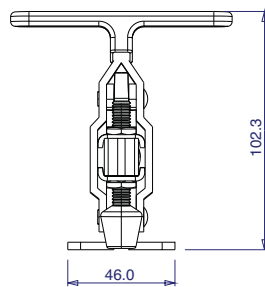
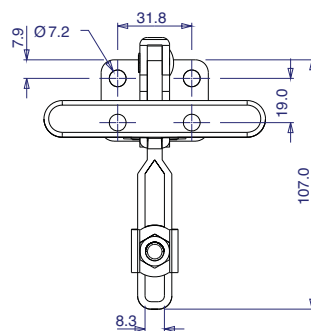
Part No:	GH-13007
Holding Force:	150Kg
Arm Opens:	90°
Handle Opens:	170°
Weight:	0.23Kg
Spindle Supplied:	FC-56212
Flanged Washers Supplied:	FW-516



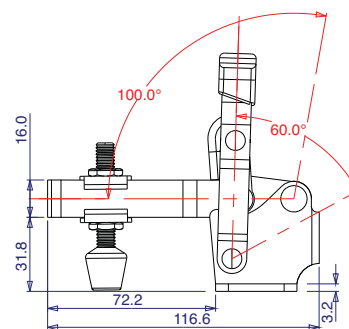
Part No:	GH-13008
Holding Force:	320Kg
Arm Opens:	90°
Handle Opens:	170°
Weight:	0.63Kg
Spindle Supplied:	FC-38312
Flanged Washers Supplied:	FW-380



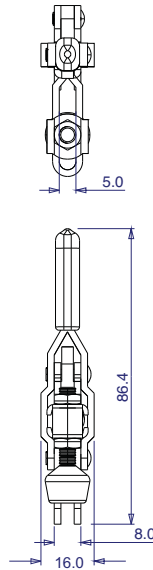
▶ 'T' Handle & Low Profile



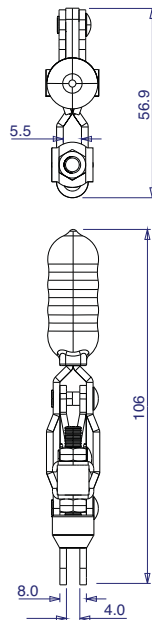
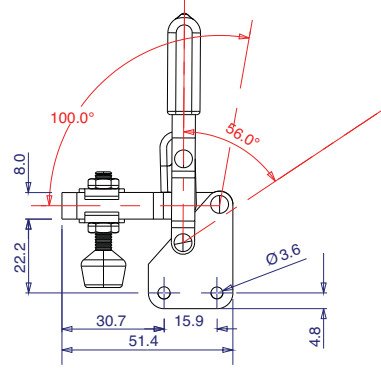
Part No:	GH-12131
Holding Force:	227Kg
Arm Opens:	100°
Handle Opens:	60°
Weight:	0.37Kg
Spindle Supplied:	FC-56212
Flanged Washers Supplied:	FW-516



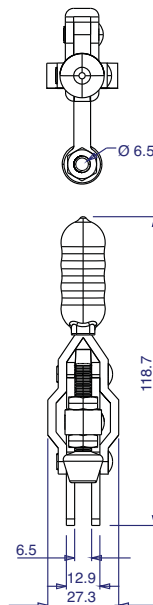
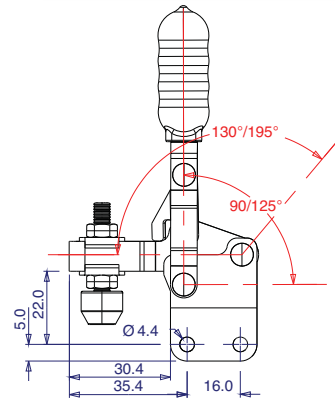
► Straight Base All Arm Types



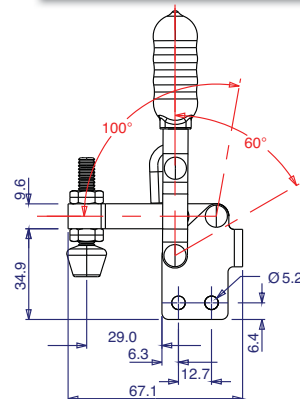
Part No:	GH-101-AI
Holding Force:	50Kg
Arm Opens:	100°
Handle Opens:	56°
Weight:	0.06Kg
Spindle Supplied:	FC-10138
Flanged Washers Supplied:	FW-080



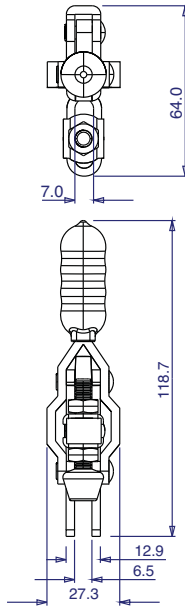
Part No:	GH-10751-B
Holding Force:	75Kg
Arm Opens:	130-195°
Handle Opens:	90-125°
Weight:	0.05Kg
Spindle Supplied:	SA-055008+NC-05 Cap
Flanged Washers Supplied:	FW-100



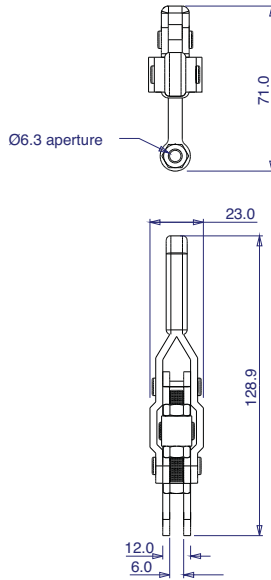
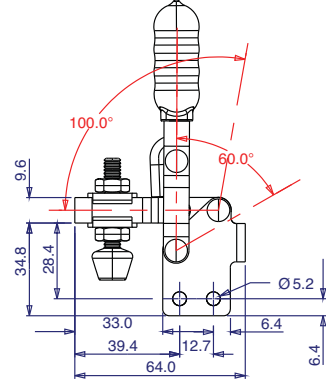
Part No:	GH-12055
Holding Force:	91Kg
Arm Opens:	100°
Handle Opens:	60°
Weight:	0.17Kg
Spindle Supplied:	FC-14134
Flanged Washers Supplied:	-



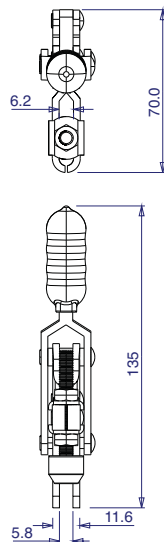
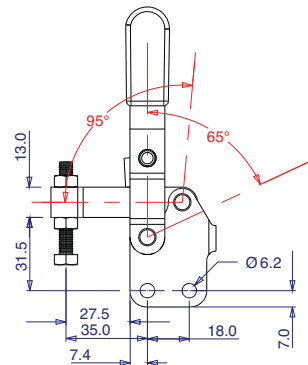
► Straight Base All Arm Types



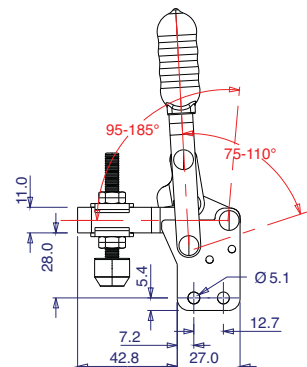
Part No:	GH-12055-U
Holding Force:	91Kg
Arm Opens:	100°
Handle Opens:	60°
Weight:	0.17Kg
Spindle Supplied:	FC-14134
Flanged Washers Supplied:	FW-141



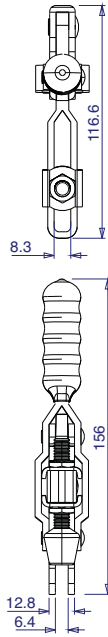
Part No:	GH-12401
Holding Force:	100Kg
Arm Opens:	95°
Handle Opens:	65°
Weight:	0.2Kg
Spindle Supplied:	SA-064010
Flanged Washers Supplied:	-



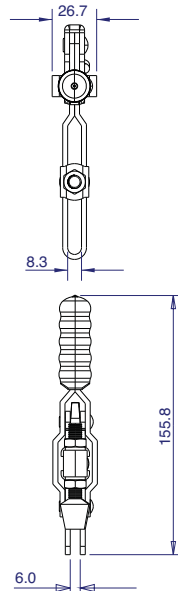
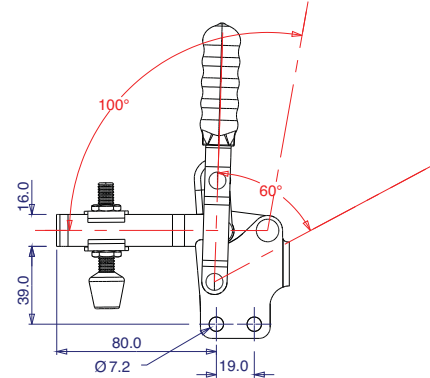
Part No:	GH-11501-B
Holding Force:	150Kg
Arm Opens:	95-185°
Handle Opens:	75-110°
Weight:	0.15Kg
Spindle Supplied:	SA-065010+NC-06 Cap
Flanged Washers Supplied:	FW-140



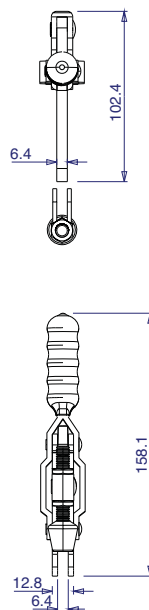
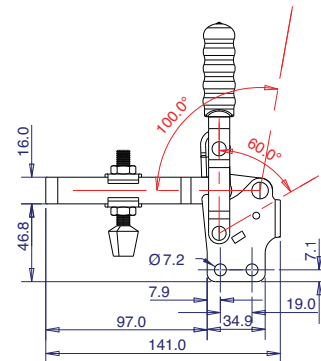
► Straight Base All Arm Types



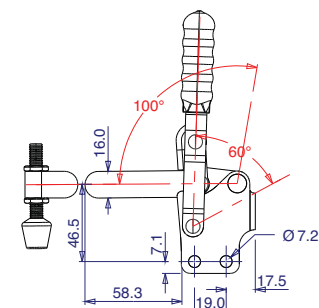
Part No:	GH-12135
Holding Force:	227Kg
Arm Opens:	100°
Handle Opens:	60°
Weight:	0.355Kg
Spindle Supplied:	FC-56212
Flanged Washers Supplied:	FW-516



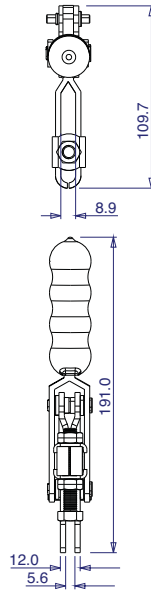
Part No:	GH-12137
Holding Force:	227Kg
Arm Opens:	100°
Handle Opens:	60°
Weight:	0.37Kg
Spindle Supplied:	FC-56212
Flanged Washers Supplied:	FW-516



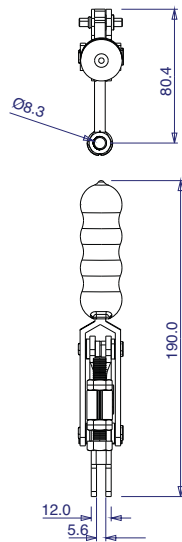
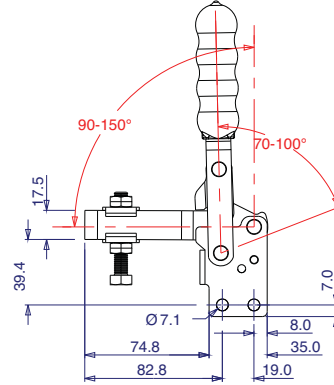
Part No:	GH-12145
Holding Force:	227Kg
Arm Opens:	100°
Handle Opens:	60°
Weight:	0.34Kg
Spindle Supplied:	FC-56212
Bolt Retainer Supplied:	BR-516



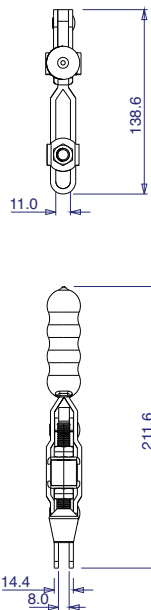
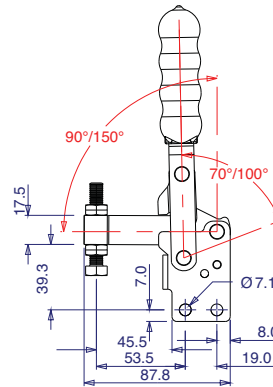
► Straight Base All Arm Types



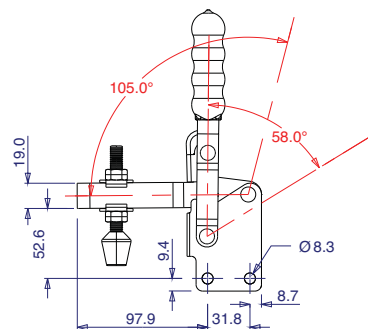
Part No:	GH-12501-B
Holding Force:	250Kg
Arm Opens:	90-150°
Handle Opens:	70-100°
Weight:	0.38Kg
Spindle Supplied:	SA-085012
Flanged Washers Supplied:	FW-516



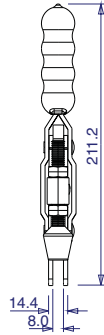
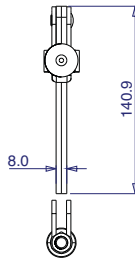
Part No:	GH-12501-C
Holding Force:	250Kg
Arm Opens:	90-150°
Handle Opens:	70-100°
Weight:	0.38Kg
Spindle Supplied:	SA-085012
Flanged Washers Supplied:	-



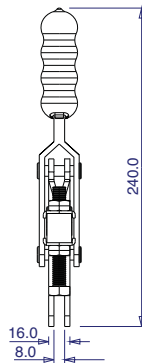
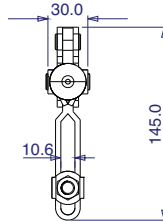
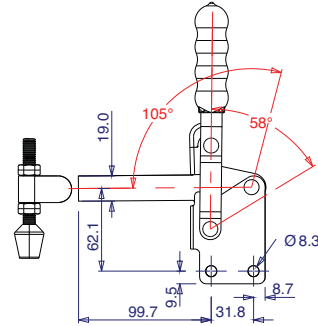
Part No:	GH-12270
Holding Force:	340Kg
Arm Opens:	105°
Handle Opens:	58°
Weight:	0.635Kg
Spindle Supplied:	FC-38312
Flanged Washers Supplied:	FW-380



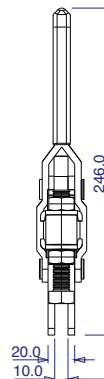
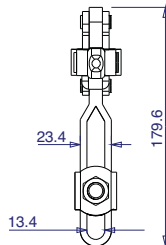
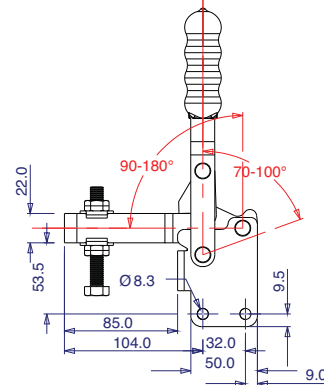
► Straight Base All Arm Types



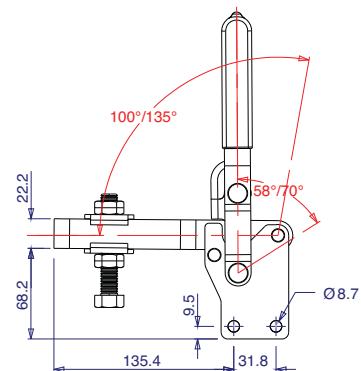
Part No:	GH-12280
Holding Force:	340Kg
Arm Opens:	105°
Handle Opens:	58°
Weight:	0.68Kg
Spindle Supplied:	FC-38312
Bolt Retainer Supplied	BR-380



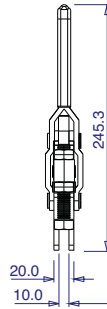
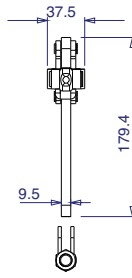
Part No:	GH-13501-B
Holding Force:	350Kg
Arm Opens:	90-180°
Handle Opens:	70-100°
Weight:	0.8Kg
Spindle Supplied:	SA-108015
Flanged Washers Supplied:	FW-380



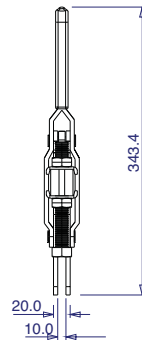
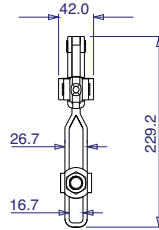
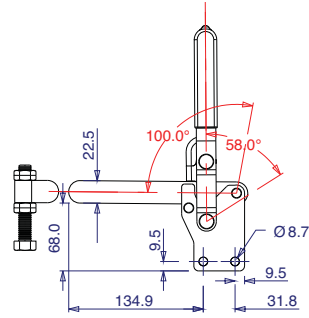
Part No:	GH-10248
Holding Force:	450Kg
Arm Opens:	100-135°
Handle Opens:	58-70°
Weight:	1.25Kg
Spindle Supplied:	SA-12300
Flanged Washers Supplied:	FW-120



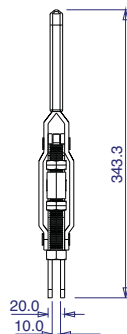
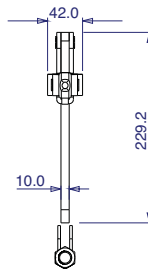
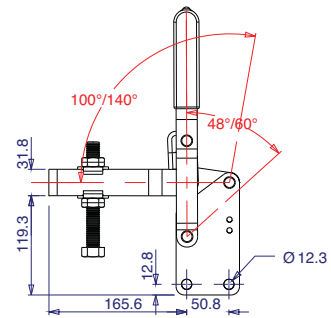
► Straight Base All Arm Types



Part No:	GH-10250
Holding Force:	450Kg
Arm Opens:	100-135°
Handle Opens:	58-70°
Weight:	1.25Kg
Spindle Supplied:	SA-12300
Bolt Retainer Supplied	BR-120



Part No:	GH-101-JSB
Holding Force:	550Kg
Arm Opens:	100-140°
Handle Opens:	48-60°
Weight:	2.54Kg
Spindle Supplied:	SA-58500
Flanged Washers Supplied:	FW-580



Part No:	GH-101-JSI
Holding Force:	550Kg
Arm Opens:	100-140°
Handle Opens:	48-60°
Weight:	2.54Kg
Spindle Supplied:	SA-58500
Bolt Retainer Supplied	BR-580

